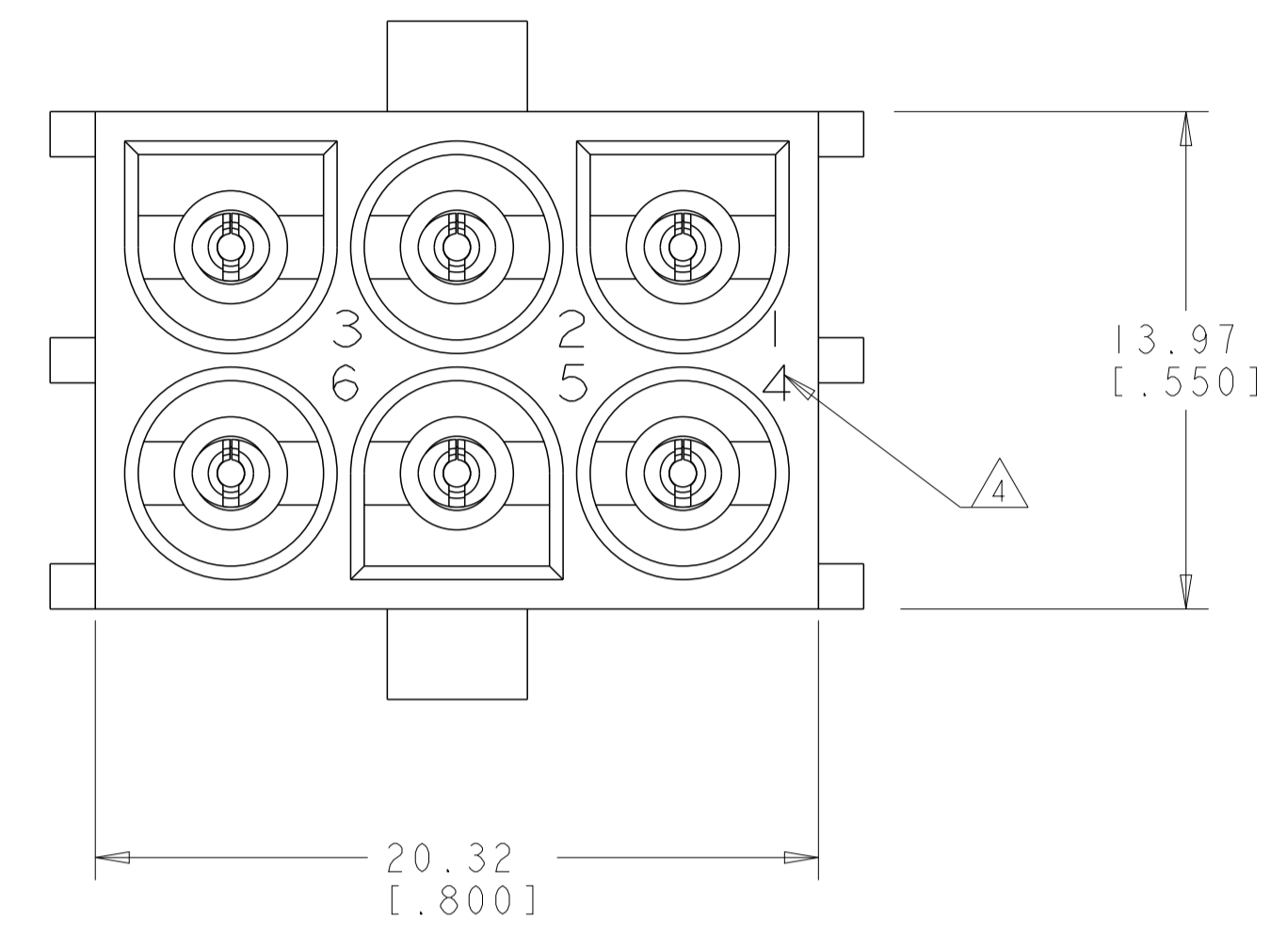
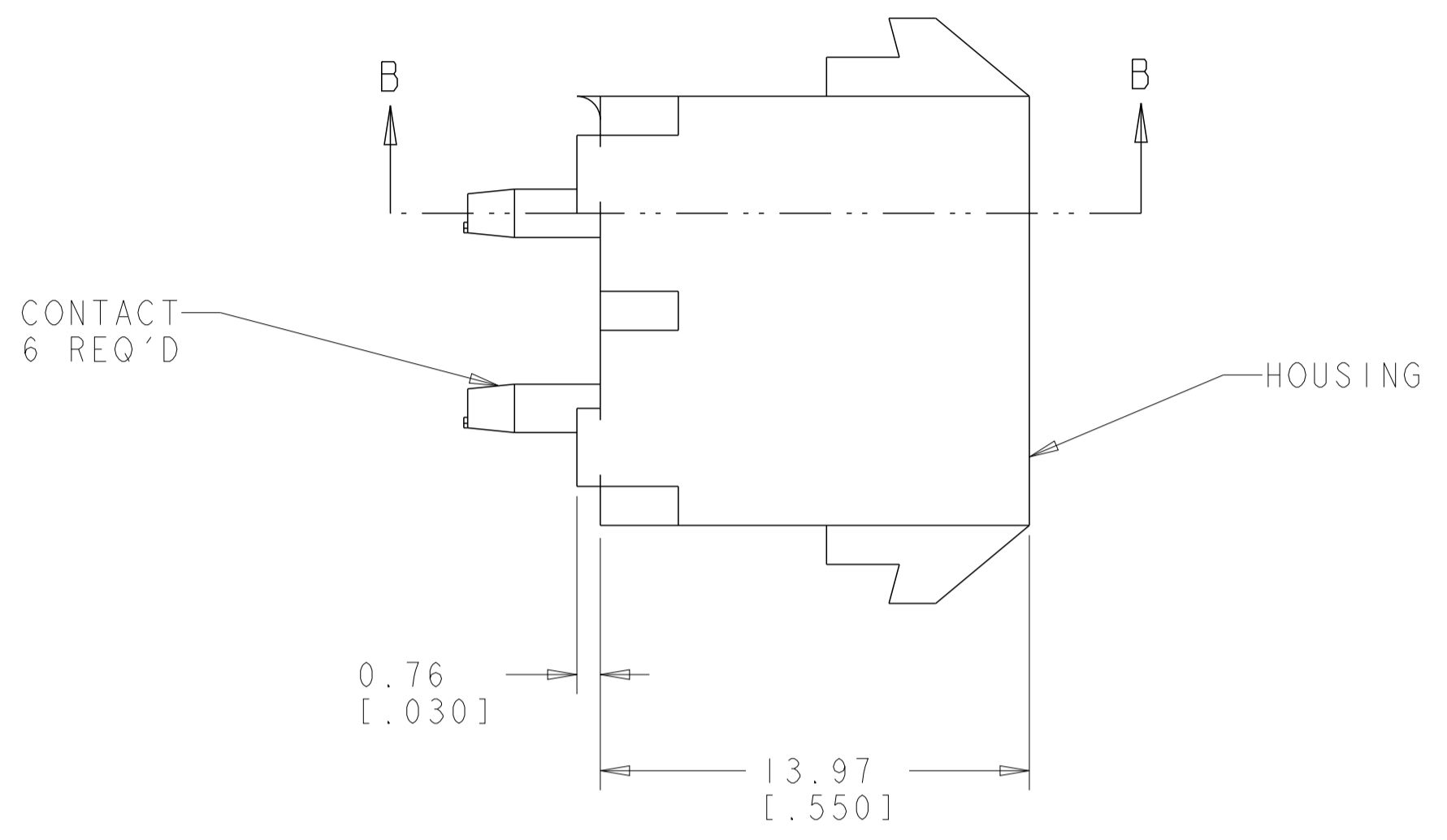
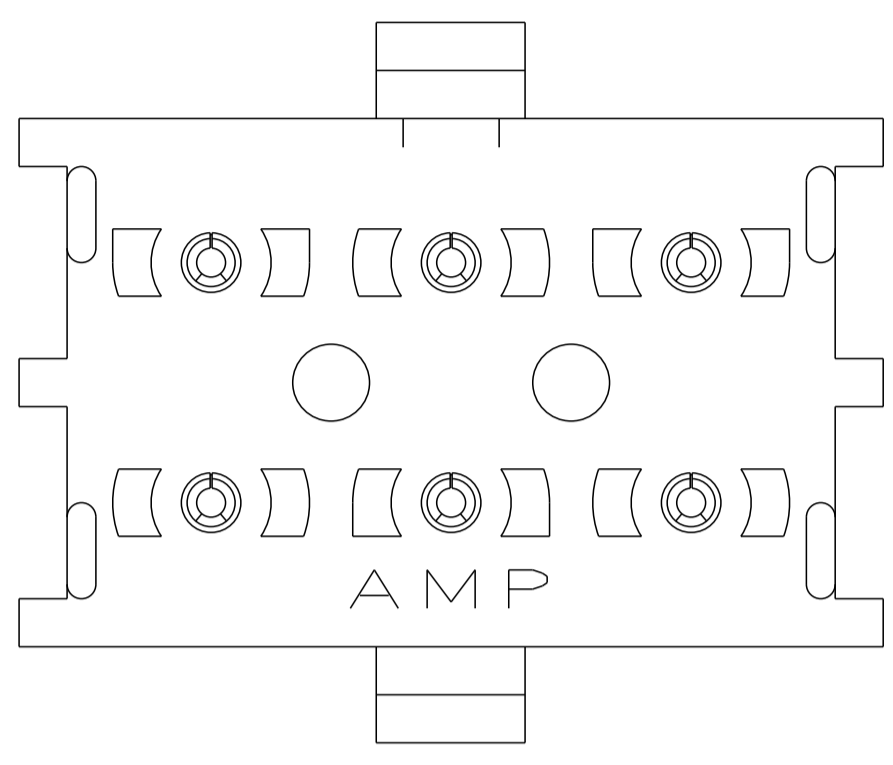
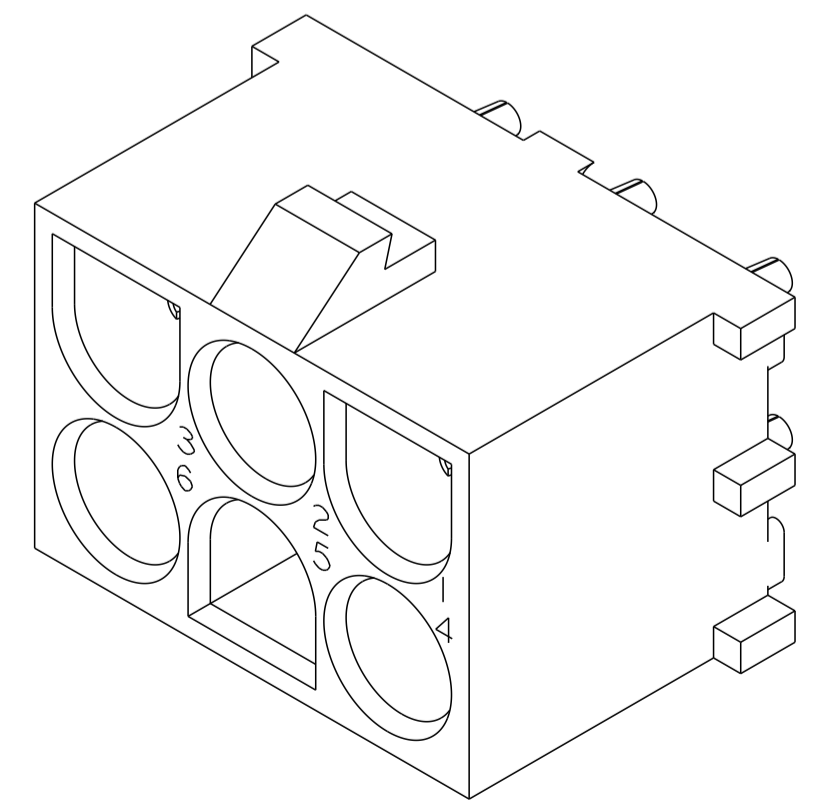
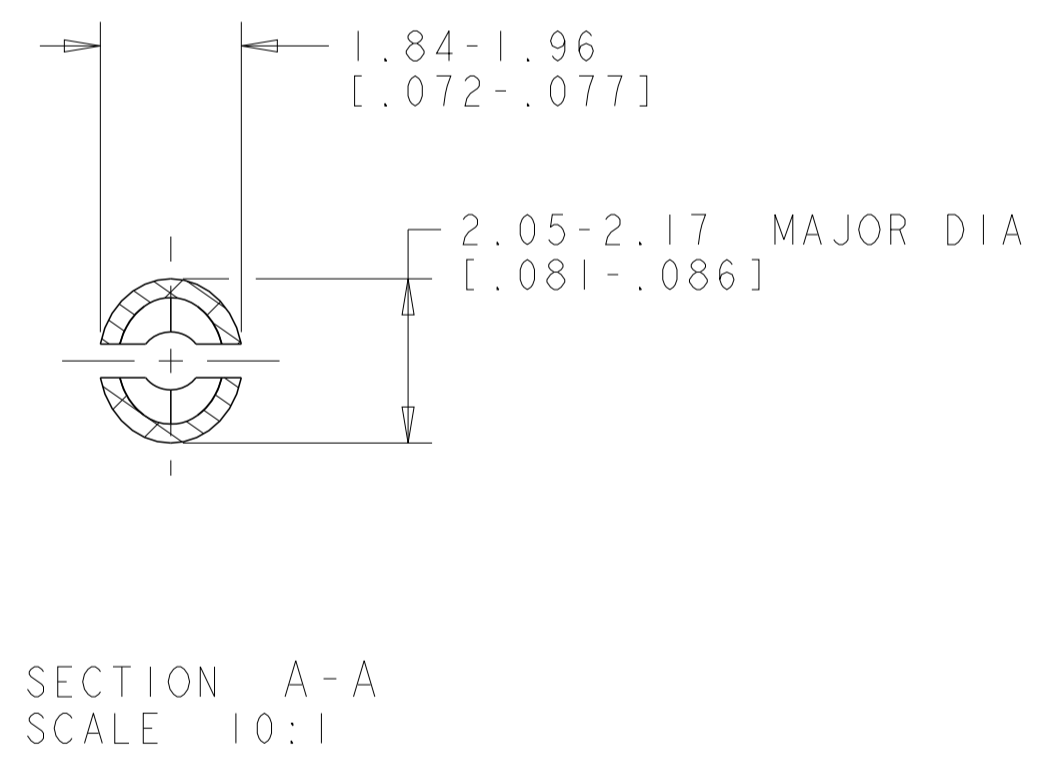
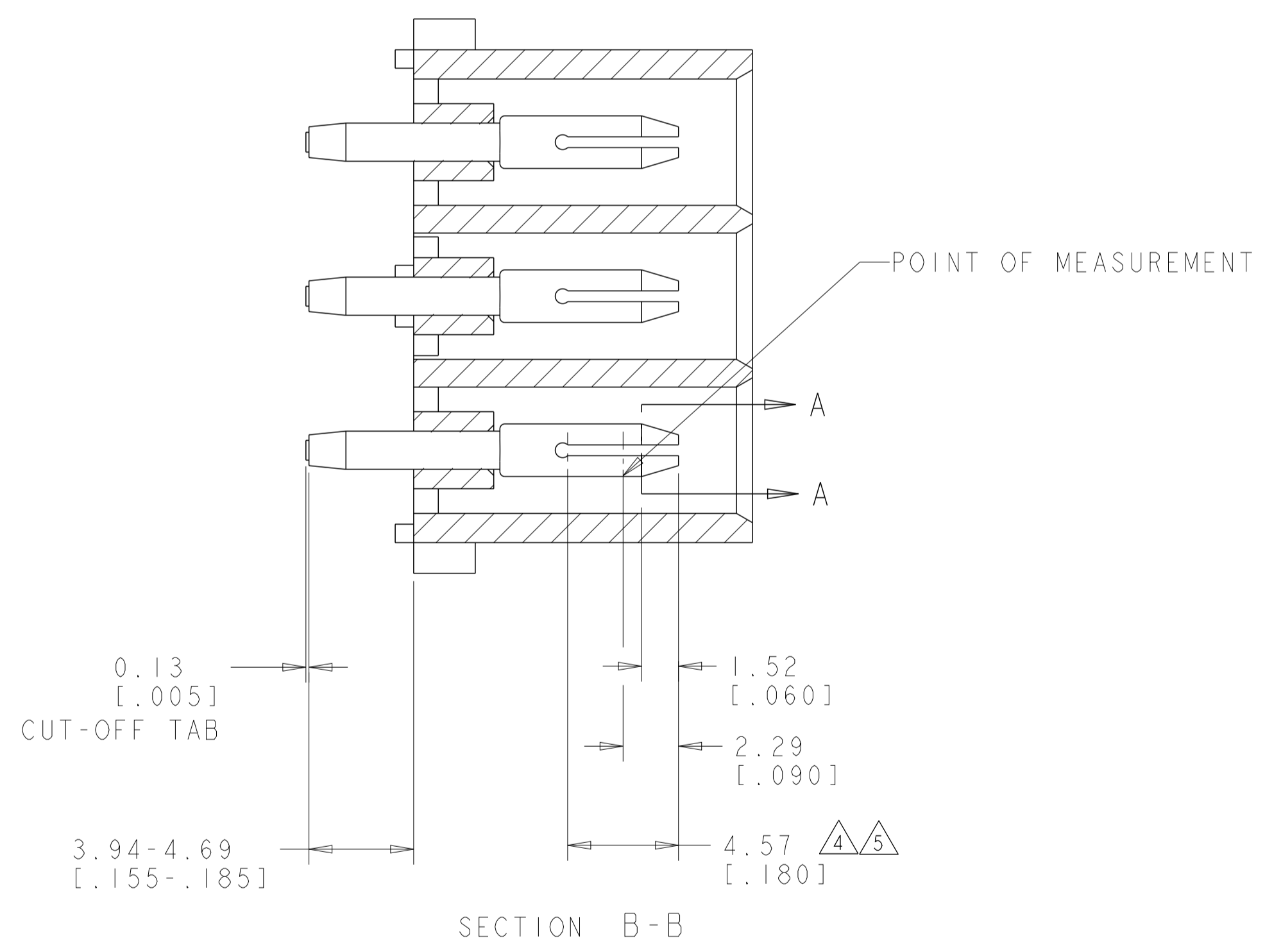


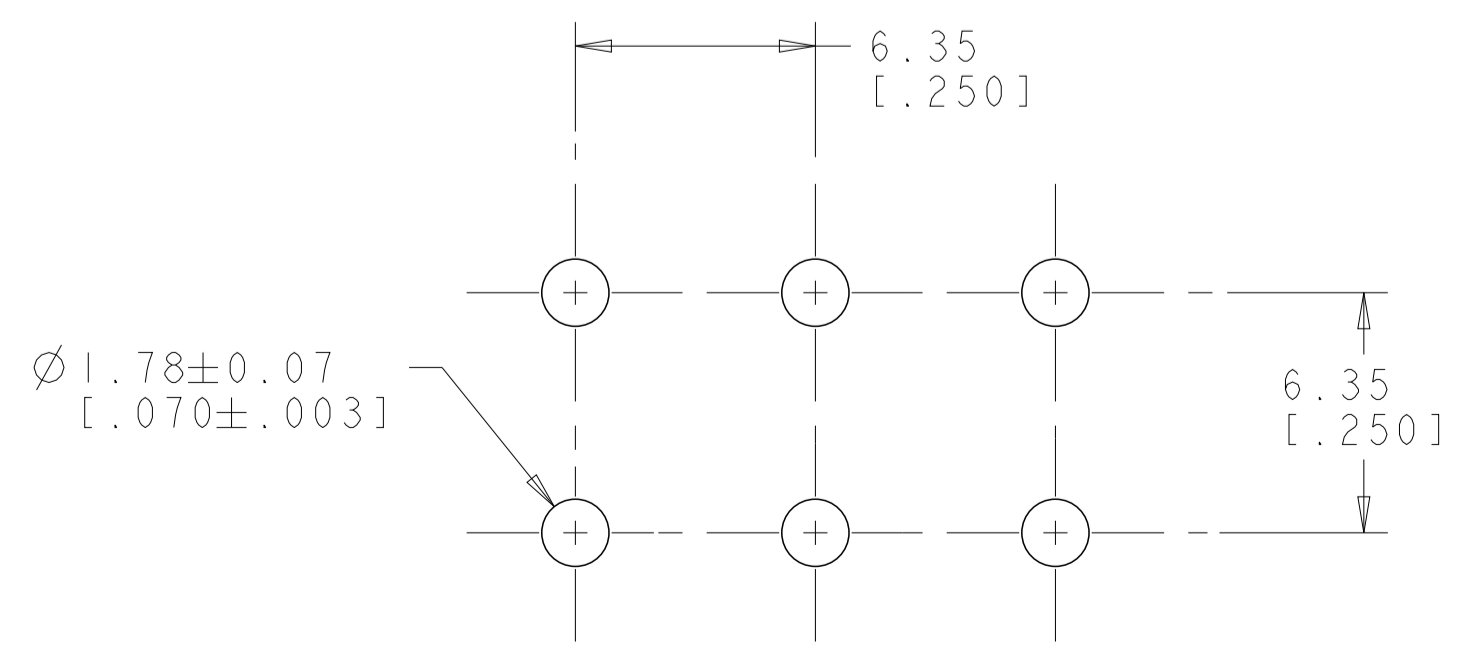
LOC		DIST		REVISIONS			
CM	00	P	LTN	DESCRIPTION	DATE	DWN	APVD
		Y2		REVISED PER ECR-12-011660	24JAN2013	KH	TM



- PARTS MATE WITH HOUSING 480704.
  - PARTS COMPLY TO AMP SOLDERABILITY SPECIFICATION 109-11-3.
  - CIRCUIT IDENTIFICATION CHARACTERS ARE ADJACENT TO THE INDICATED CAVITIES, BUT LOCATION AND ORIENTATION MAY DIFFER FROM PRINT.
  - CONTACT IS PLATED OVERALL WITH 0.00127 [.000050] NICKEL, THEN 0.00076 [.000030] GOLD OVER CONTACT LENGTH INDICATED AND TIN LEAD ON SOLDER TAIL END.
  - CONTACT IS PLATED OVERALL WITH 0.00127 [.000050] NICKEL, THEN 0.00076 [.000030] GOLD OVER CONTACT LENGTH INDICATED AND MATTE TIN ON SOLDER TAIL END.
  - DIMENSIONS IN BRACKETS ARE IN INCHES.
- ⚠ SUPERSEDED BY 350431-4

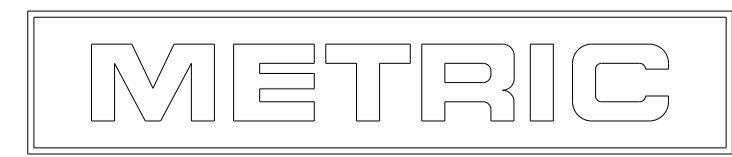


3 DIMENSIONAL MODEL  
SCALE 4:1



RECOMMENDED MOUNTING HOLE PATTERN  
FOR 1.57 [.062] THICK P.C. BOARD

PHOSPOR BRONZE, GOLD ⚠	NYLON, UL94V-2, NATURAL	350431-4
PHOSPOR BRONZE, GOLD ⚠	NYLON, UL94V-2, NATURAL	350431-2
PHOSPOR BRONZE, PRE-TIN	NYLON, UL94V-2, NATURAL	350431-1
PIN CONTACT MATERIAL AND FINISH		PART NUMBER



THIS DRAWING IS A CONTROLLED DOCUMENT.

DIMENSIONS: mm [INCHES]	TOLERANCES UNLESS OTHERWISE SPECIFIED:	DWN K. WHITAKER 18JULY2005	CHK S. RIDGILL 18JULY2005	APVD S. RIDGILL 18JULY2005	NAME PIN HEADER ASSEMBLY, 6 CIRCUIT, UNIVERSAL MATE-N-LOK TM
MATERIAL SEE TABLE	FINISH SEE TABLE	0 PLC ±	1 PLC ±	2 PLC ±	3 PLC ±0.131(.005)
		4 PLC ±	ANGLES 40° 30'	WEIGHT	SIZE A100779
		CUSTOMER DRAWING		SCALE 5:1	SHEET 1 OF 1

TE Connectivity  
 © 350431  
 REV Y2